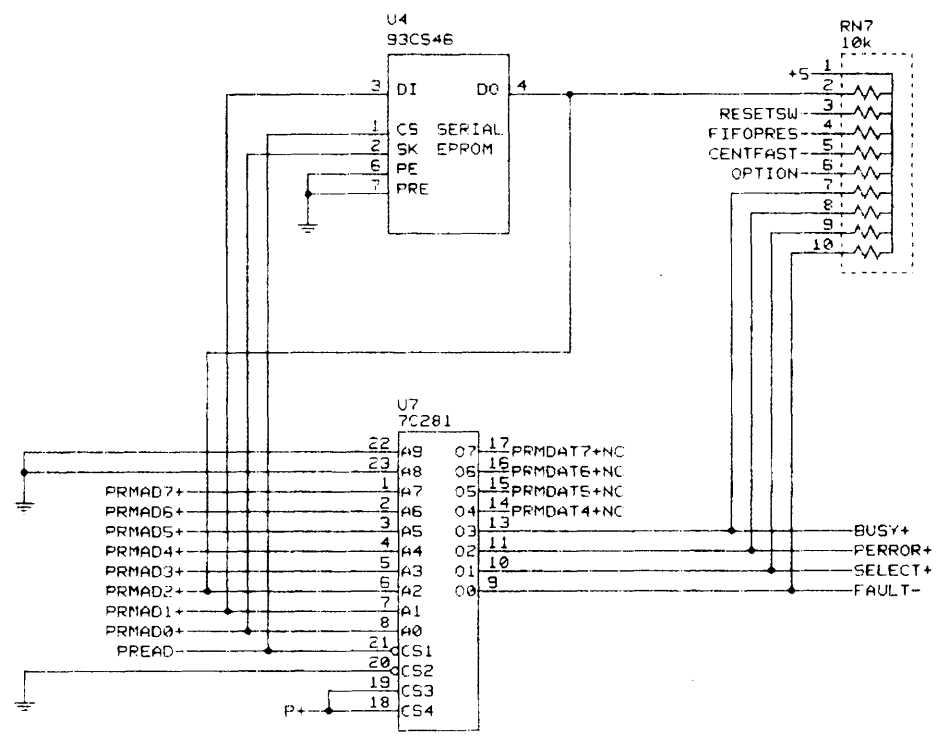


IKON CORPORATION		
1284/upi converter		
D	MODEL 10119	REV C
DATE: 3 October 2010		SHEET 01 OF ???

OPTIONAL ID PROMS
NEITHER FROM LIKELY TO BE USED



THE INFORMATION AND DATA CONTAINED IN THIS DOCUMENT INCLUDES EXCLUSIVE AND PROPRIETARY INTELLECTUAL PROPERTY OWNED BY IKON CORPORATION. THIS DOCUMENT MAY NOT BE REPRODUCED IN WHOLE OR IN PART WITHOUT PRIOR WRITTEN CONSENT OF IKON CORPORATION.

OPTIONAL EEPROMS

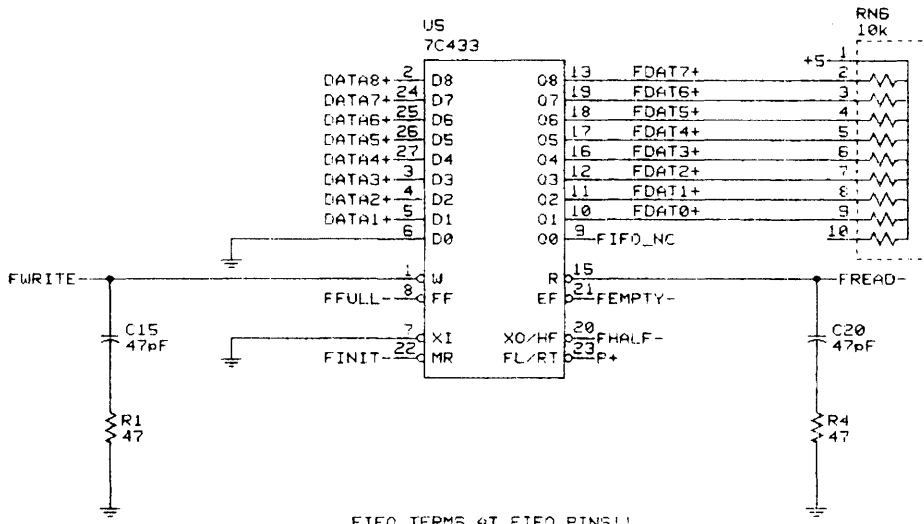
IKON CORPORATION		
1284/upi converter		
D	MODEL 10119	REV C
DATE: 3 October 2010		SHEET 02 OF ???

D

C

B

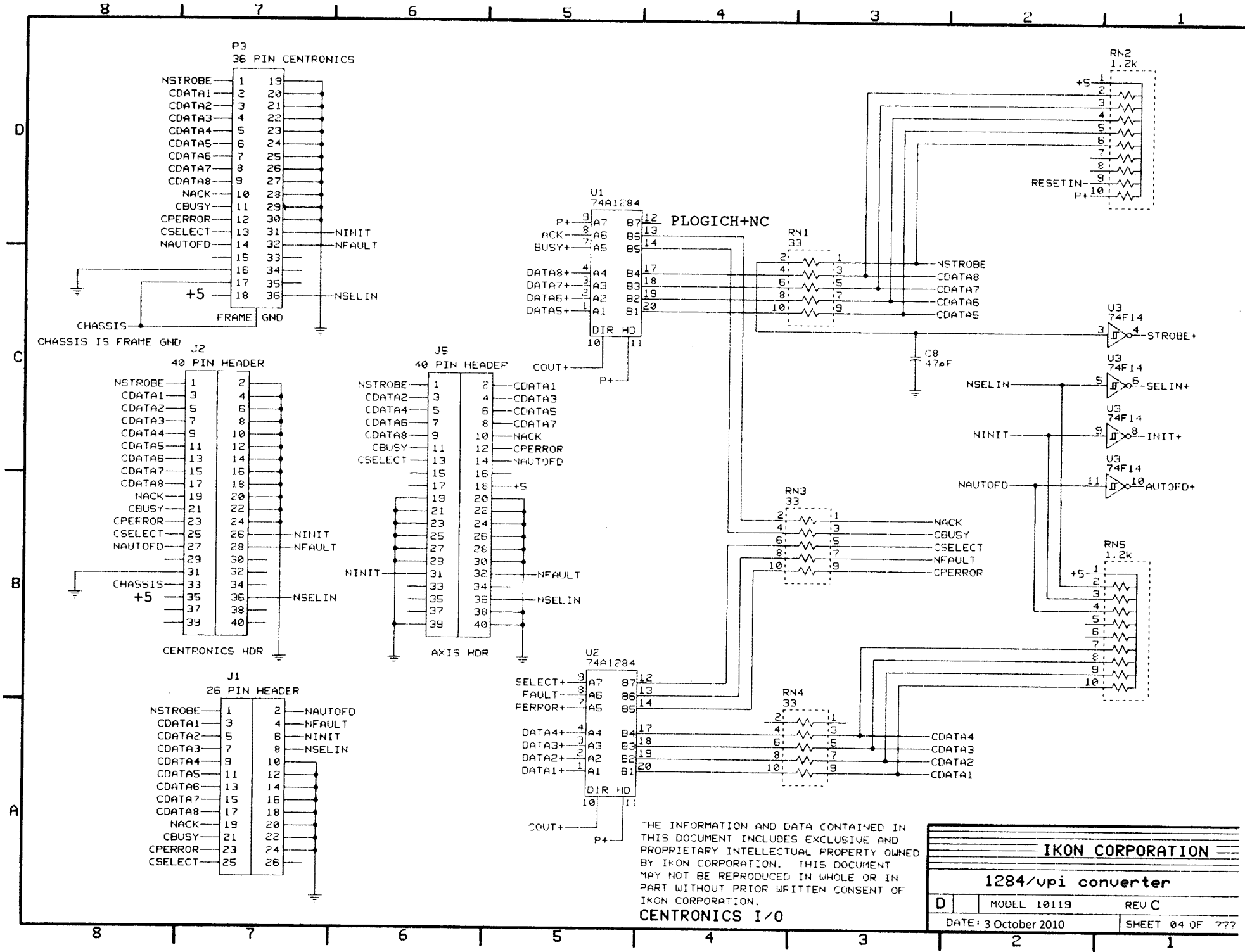
A



THE INFORMATION AND DATA CONTAINED IN THIS DOCUMENT INCLUDES EXCLUSIVE AND PROPRIETARY INTELLECTUAL PROPERTY OWNED BY IKON CORPORATION. THIS DOCUMENT MAY NOT BE REPRODUCED IN WHOLE OR IN PART WITHOUT PRIOR WRITTEN CONSENT OF IKON CORPORATION.

FIFO (optional)

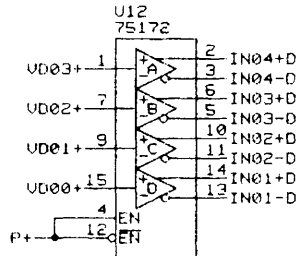
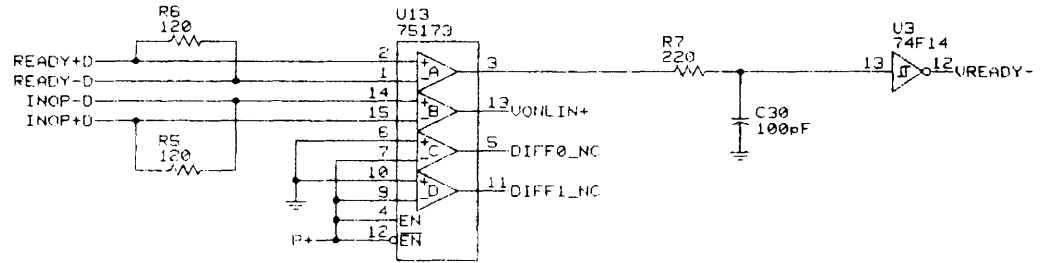
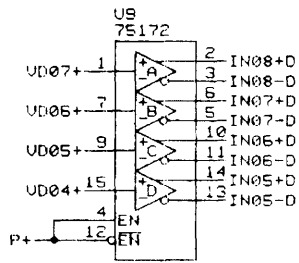
IKON CORPORATION		
1284/upi converter		
D	MODEL 10119	REUC
DATE: 3 October 2010		SHEET 03 OF ???



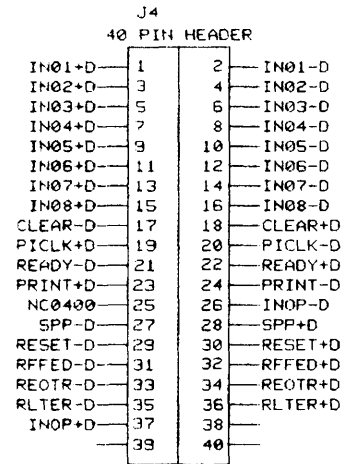
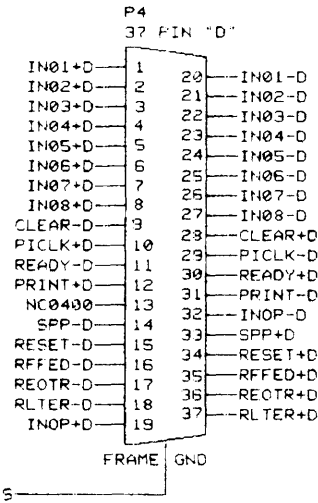
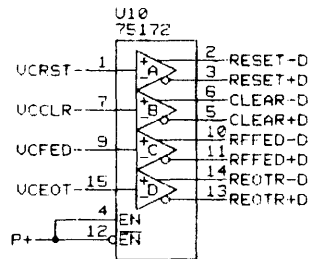
THE INFORMATION AND DATA CONTAINED IN THIS DOCUMENT INCLUDES EXCLUSIVE AND PROPRIETARY INTELLECTUAL PROPERTY OWNED BY IKON CORPORATION. THIS DOCUMENT MAY NOT BE REPRODUCED IN WHOLE OR IN PART WITHOUT PRIOR WRITTEN CONSENT OF IKON CORPORATION.

CENTRONICS I/O

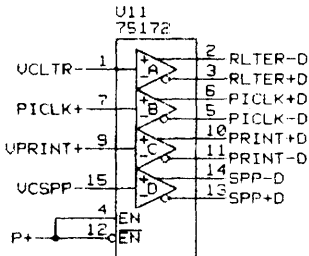
IKON CORPORATION		
1284/upi converter		
D	MODEL 10119	REV C
DATE: 3 October 2010		SHEET 04 OF ???



CAN USE EITHER FLAVOR OF DIFF CHIP ENABLE



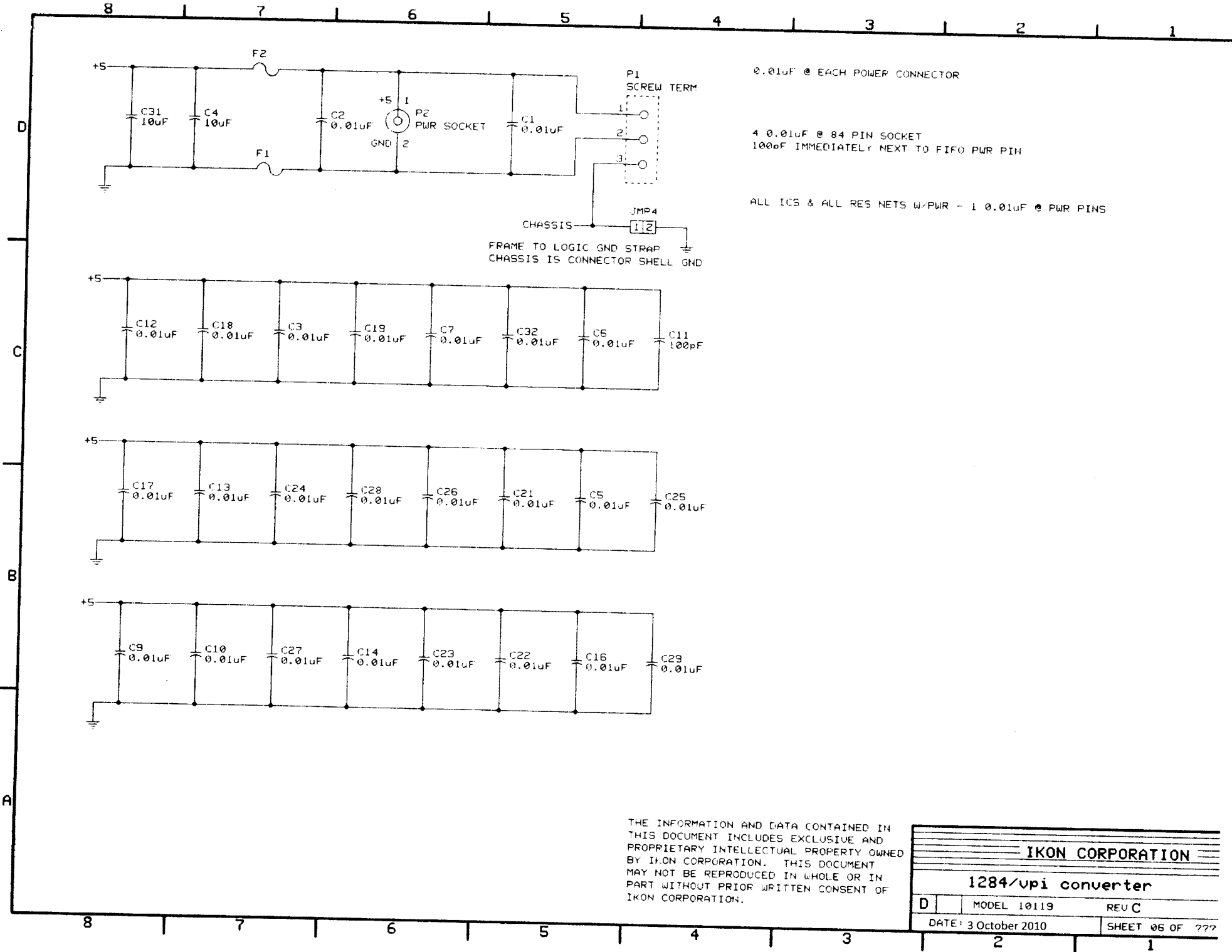
CHASSIS IS FRAME GROUND
TO CONNECTOR SHELLS



THE INFORMATION AND DATA CONTAINED IN
THIS DOCUMENT INCLUDES EXCLUSIVE AND
PROPRIETARY INTELLECTUAL PROPERTY OWNED
BY IKON CORPORATION. THIS DOCUMENT
MAY NOT BE REPRODUCED IN WHOLE OR IN
PART WITHOUT PRIOR WRITTEN CONSENT OF
IKON CORPORATION.

VERSATEC DIFF I/O

IKON CORPORATION		
1284/upi converter		
D	MODEL 10119	REV C
DATE: 3 October 2010		SHEET 05 OF ???



0.01uF @ EACH POWER CONNECTOR

4 0.01uF @ 84 PIN SOCKET
100pF IMMEDIATELY NEXT TO FIFO PWR PIN

ALL ICS & ALL RES NETS W/PWR - 1 0.01uF @ PWR PINS

JMP4
CHASSIS

FRAME TO LOGIC GND STRAP
CHASSIS IS CONNECTOR SHELL GND

THE INFORMATION AND DATA CONTAINED IN THIS DOCUMENT INCLUDES EXCLUSIVE AND PROPRIETARY INTELLECTUAL PROPERTY OWNED BY IKON CORPORATION. THIS DOCUMENT MAY NOT BE REPRODUCED IN WHOLE OR IN PART WITHOUT PRIOR WRITTEN CONSENT OF IKON CORPORATION.

IKON CORPORATION		
1284/upi converter		
D	MODEL 10119	REV C
DATE: 3 October 2010		SHEET 06 OF ???